



Operating the portable emergency powerplant.

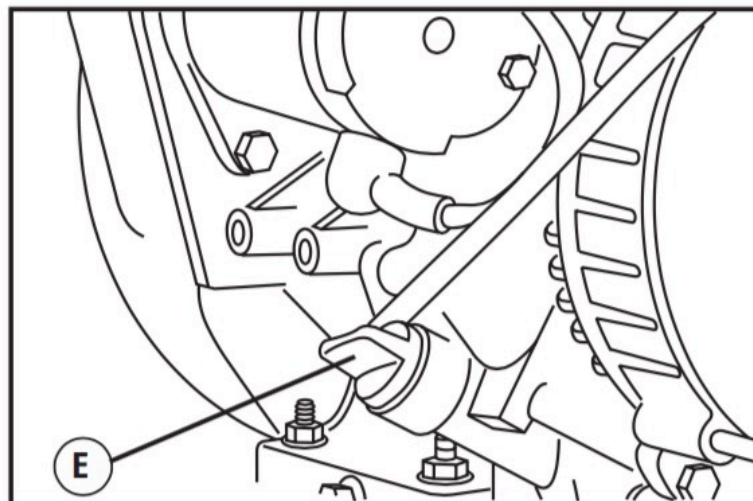
Created: May 18, 2009; Last modified: Nov 21, 2023, Version: 4.0

This protocol describes the emergency electric generator procedures for maintenance, start-up and shutdown. The Briggs & Stratton Elite Series model generator is an 8 kilowatt (13.5-kilowatt peak power) portable generator capable of both 110/220 VAC output. The generator possesses a 27-litre capacity gasoline tank and is intended for field work or as a backup electric generator.



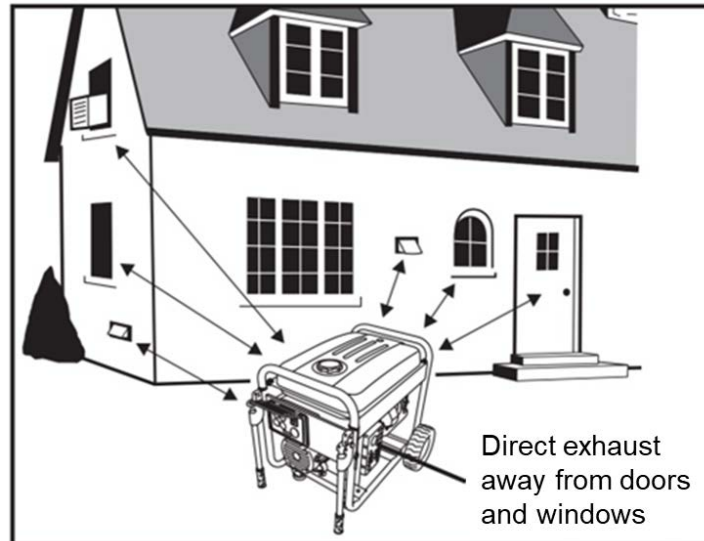
Generator maintenance

Ensure oil dip (E) is properly closed and indicating proper oil level is present.

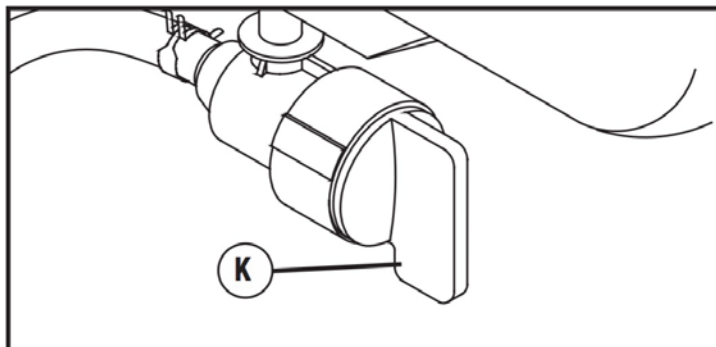


Generator start-up

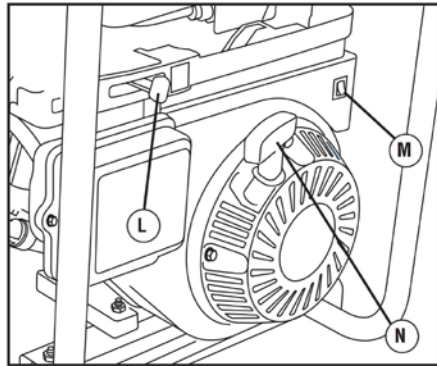
1. Place generator far from work area to prevent hearing damage from noise and to prevent carbon monoxide poisoning or accumulation.



2. Make sure unit is on a level surface.
3. Disconnect all electrical loads from the generator.
4. Turn the fuel valve (K) to the “On” (vertical) position for fuel to flow.



5. Move choke lever (L) to CHOKE position.
6. Push engine rocker switch (M) to ON position.
7. Start generator using Manual (N) or electric start motor (P).



L)



M)



P)

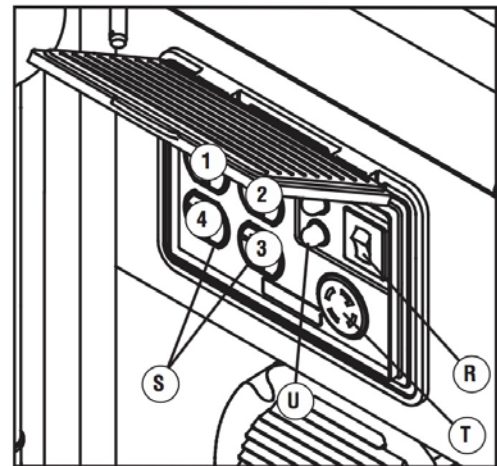
8. **MANUAL IGNITION:** Pull starter rope handle (N) slowly until resistance is felt. Then pull the cord rapidly to overcome compression, prevent kickback, and start engine.
9. **ELECTRICAL IGNITION:** Press and hold START switch (P) for a maximum of 15 seconds. If the engine does not start, pause for 1 minute and repeat.
10. Slowly move choke lever (L) to RUN position until generator is running smooth.



11. If engine does not start, refer to operator's manual for detailed starting instructions.



12. Allow the engine to stabilize and warm up for two to three minutes.
13. Press the circuit breaker (R) button on the control panel to the ON position.
14. Plug the electrical cords of 120-volt equipment into the 120 volt outlets (S) or 220 volt equipment into the only available 220 VAC bayonet outlet (T).
15. Reset (push) circuit breakers (U) to protect the 120 Volt receptacles and generator against electrical overload.



16. Do Not Overload Generator. Exceeding generators wattage/amperage capacity can damage generator and/or electrical devices connected to it.

Generator shutdown

1. Turn OFF and unplug all electrical loads from generator panel receptacles. NEVER start or stop the engine with electrical devices plugged in and turned ON.
2. Let the engine run at no-load for several minutes to stabilize internal temperatures of engine and generator.
3. Push engine rocker switch (M) to OFF position.
4. Move fuel valve (K) to OFF position.
5. To prepare for storage, refer to Operator's Manual.





6. Allow the engine and generator exhaust to cool for at least 1 hour before covering with a bag, tarp, or storing.

References

1. Briggs & Stratton 8000 Watt Elite Series™ Portable Generator manual as made available through <https://www.manualslib.com/manual/747203/Briggs-And-Stratton-Elite-Series.html>

Revision history

- 1.0 Original document.
- 2.0 Corrected grammar and spelling.
- 3.0 Changes to document format only.
- 4.0 Changes to document title and format, translated into spanish.

